



# LIEBHERR LTM 1060

## COMPREHENSIVE LIFTING SOLUTIONS

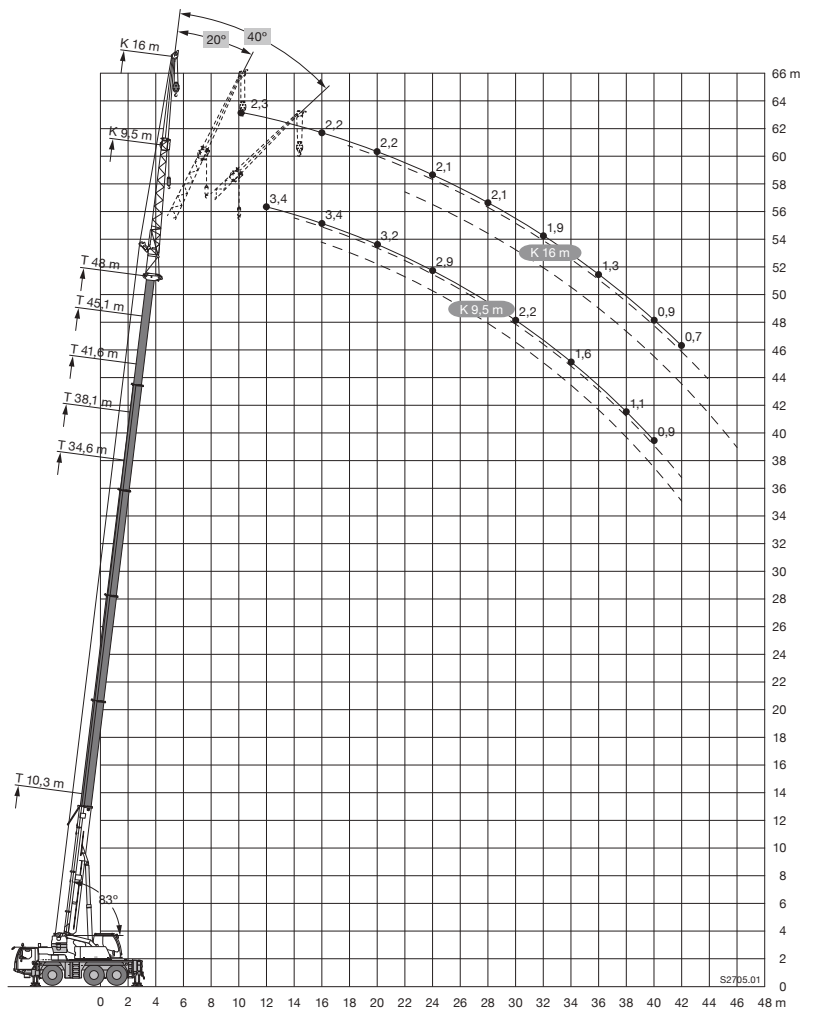
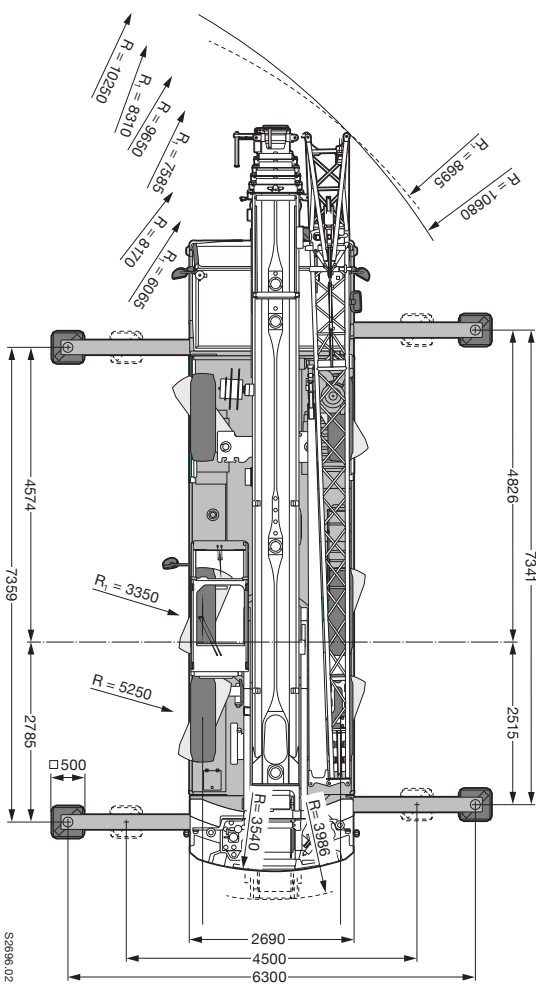
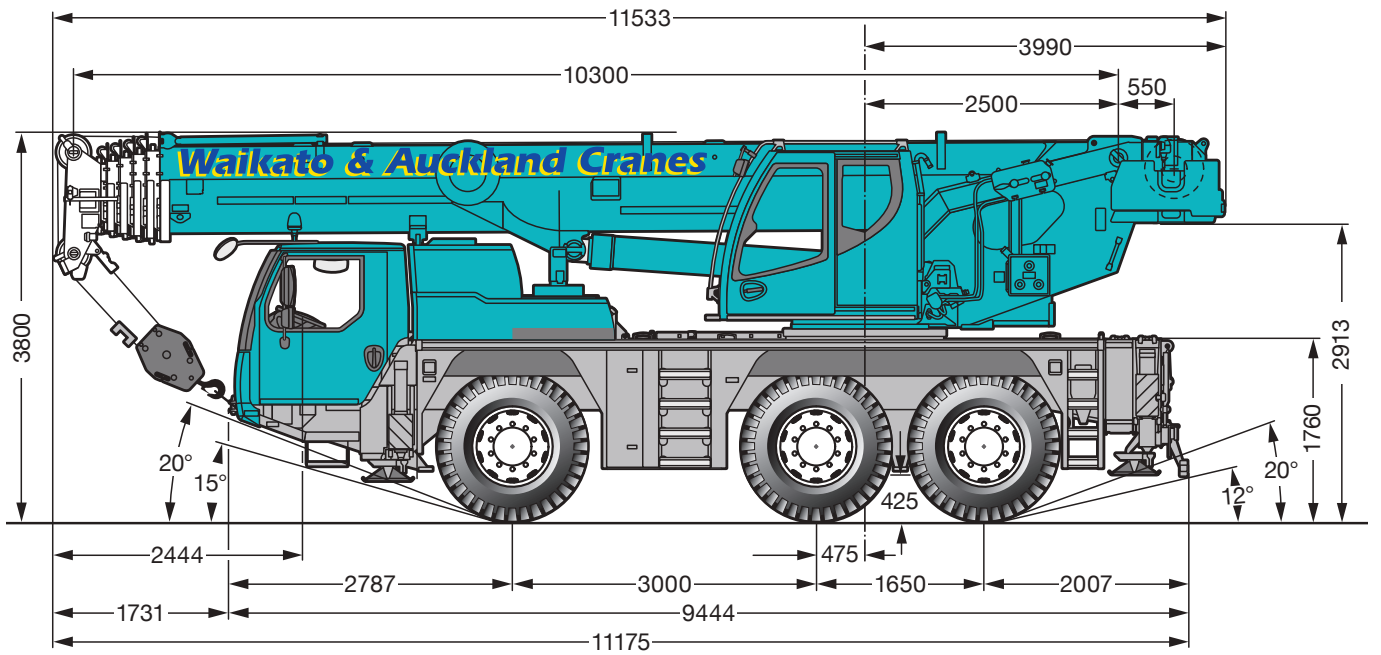
We look forward to providing a full lift engineering and crane solution for your next project. Our lift engineers and on site personnel are experienced in managing and organising highly demanding lift requirements.

Contact us to discuss your lifting requirements and to receive a free quote.

[www.aucklandcranes.co.nz/contact](http://www.aucklandcranes.co.nz/contact)

# 60 TONNE

# LIEBHERR LTM 1060



S2696.02

S2705.01



