

A solid teal horizontal bar.

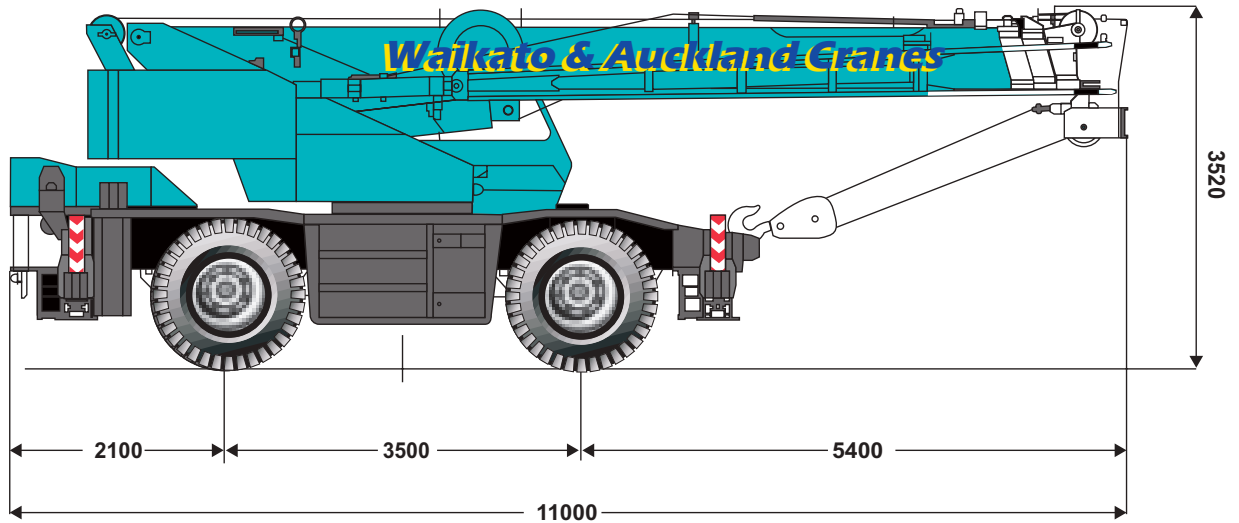
# KATO KR 25H-V2

## COMPREHENSIVE LIFTING SOLUTIONS

We look forward to providing a full lift engineering and crane solution for your next project. Our lift engineers and on site personnel are experienced in managing and organising highly demanding lift requirements.

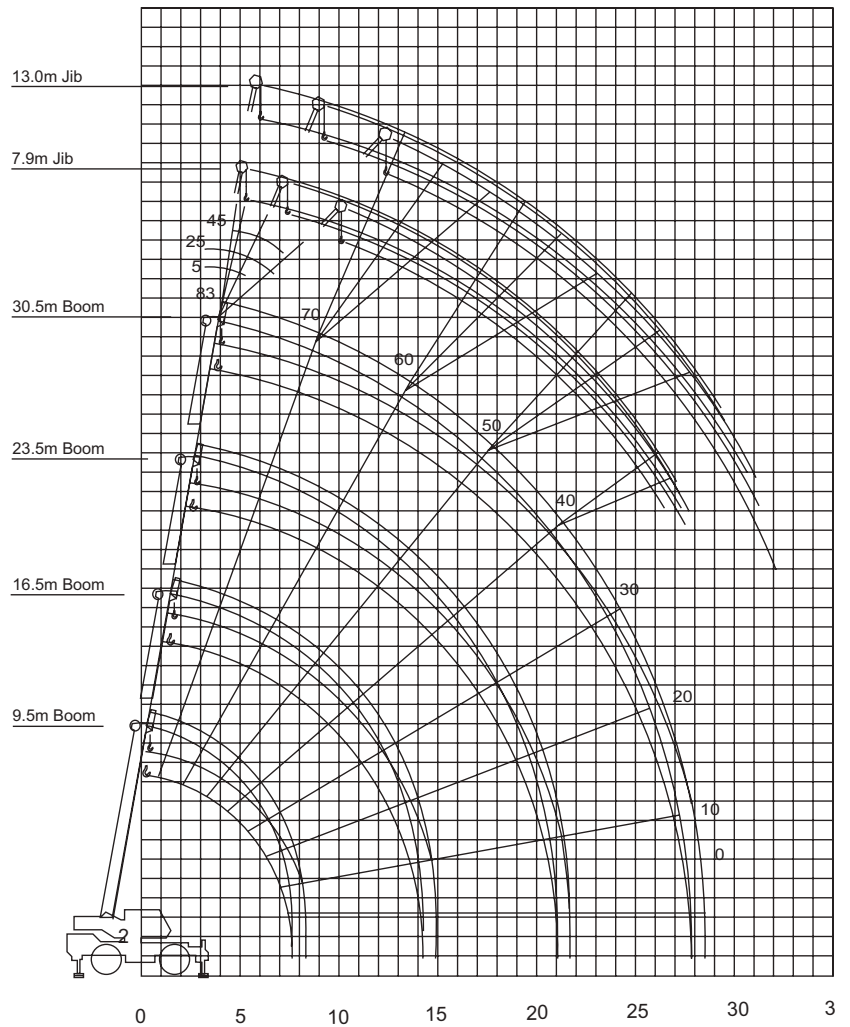
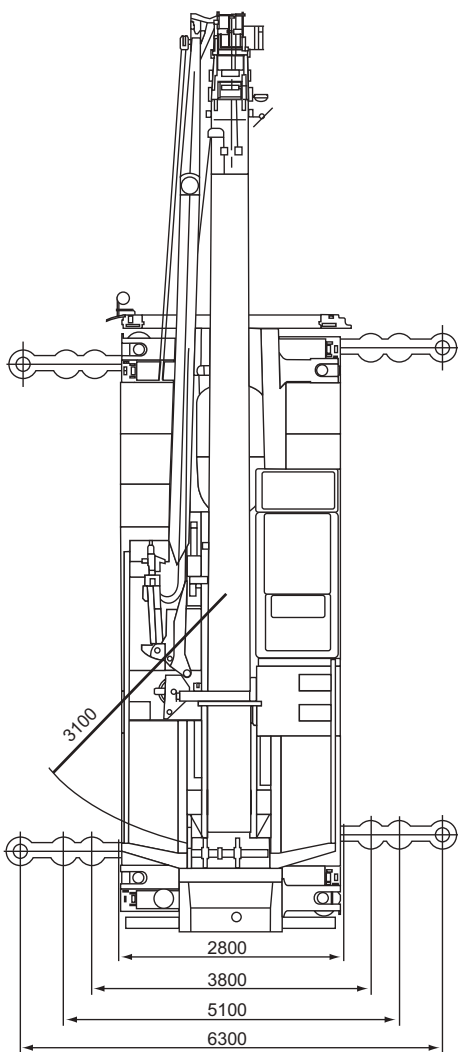
Contact us to discuss your lifting requirements and to receive a free quote.

[www.aucklandcranes.co.nz/contact](http://www.aucklandcranes.co.nz/contact)



## GENERAL DIMENSIONS

## WORKING RANGE



MAIN BOOM RATED LOADS

Working Radius (m)	Outriggers Fully Extended (6.3m) 360° Full Range				Outriggers Intermediately Extended (5.1m) Over Side				Outriggers Intermediately Extended (3.8m) Over Side				Outriggers Fully Retracted (2.21m) Over Side			
	9.5m Boom	16.5m Boom	23.5m Boom	30.5m Boom	9.5m Boom	16.5m Boom	23.5m Boom	30.5m Boom	9.5m Boom	16.5m Boom	23.5m Boom	30.5m Boom	9.5m Boom	16.5m Boom	23.5m Boom	30.5m Boom
2.5	25.00	18.00			25.00	18.00			25.00	18.00			12.00	11.60		
3.0	25.00	18.00	12.50		25.00	18.00	12.50		25.00	18.00	12.50		12.00	11.60	9.70	
3.5	25.00	18.00	12.50		25.00	18.00	12.50		20.00	18.00	12.50		9.35	8.95	9.70	
4.0	23.00	18.00	12.50	7.00	23.00	18.00	12.50	7.00	15.70	15.60	12.50	7.00	7.55	7.15	7.80	5.50
4.5	21.20	18.00	12.50	7.00	21.20	18.00	12.50	7.00	12.60	12.60	12.50	7.00	6.20	5.80	6.45	5.50
5.0	19.40	16.70	12.50	7.00	18.40	16.70	12.50	7.00	10.60	10.40	10.70	7.00	5.15	4.80	5.40	5.50
5.5	17.80	15.50	11.75	7.00	15.40	15.00	11.75	7.00	9.05	8.80	9.30	7.00	4.35	4.00	4.60	4.75
6.0	16.30	14.40	11.10	7.00	13.00	12.60	11.10	7.00	7.70	7.60	8.20	7.00	3.70	3.40	3.95	4.15
6.5	15.10	13.45	10.40	7.00	11.20	10.80	10.40	7.00	6.60	6.50	7.25	7.00	3.15	2.85	3.40	3.65
7.0		12.65	9.80	7.00		9.40	9.80	7.00		5.60	6.40	6.55		2.40	2.95	3.20
7.5		11.90	9.25	7.00		8.25	8.90	7.00		4.90	5.70	5.90		2.05	2.55	2.80
8.0		10.55	8.75	6.75		7.30	8.00	6.75		4.40	5.05	5.30		1.70	2.25	2.50
9.0		8.40	7.85	6.15		5.80	6.50	6.15		3.50	4.05	4.35		1.10	1.75	1.95
10.0		6.90	7.10	5.60		4.70	5.40	5.60		2.80	3.30	3.65		0.65	1.35	1.55
11.0		5.70	6.40	5.15		3.90	4.55	4.80		2.15	2.75	3.05		0.95	1.20	
12.0		4.80	5.45	4.70		3.25	3.85	4.15		1.65	2.30	2.60				0.90
13.0		4.10	4.70	4.35		2.70	3.25	3.55		1.30	1.90	2.20				
13.5		3.80	4.40	4.20		2.50	3.05	3.30		1.10	1.75	2.00				
14.0			4.10	4.05			2.85	3.10			1.55	1.85				
15.0			3.60	3.80			2.45	2.70			1.30	1.55				
15.5			3.40	3.65			2.25	2.50			1.15	1.45				
16.0			3.15	3.45			2.10	2.35			1.00	1.30				
17.0			2.80	3.05			1.80	2.10			0.75	1.10				
18.0			2.45	2.70			1.50	1.80			0.55	0.90				
19.0			2.15	2.45			1.25	1.60			0.40	0.70				
20.0			1.90	2.20			1.05	1.40			0.55					
20.5			1.80	2.05				1.30								
21.0				1.95				1.20								
22.0								1.00								
24.0								0.70								
26.0								0.45								
27.5								0.95								
Boom Critical Angle												20°		40°		60°
Standard Hook																
Hook Weight																
Parts of Line																

