



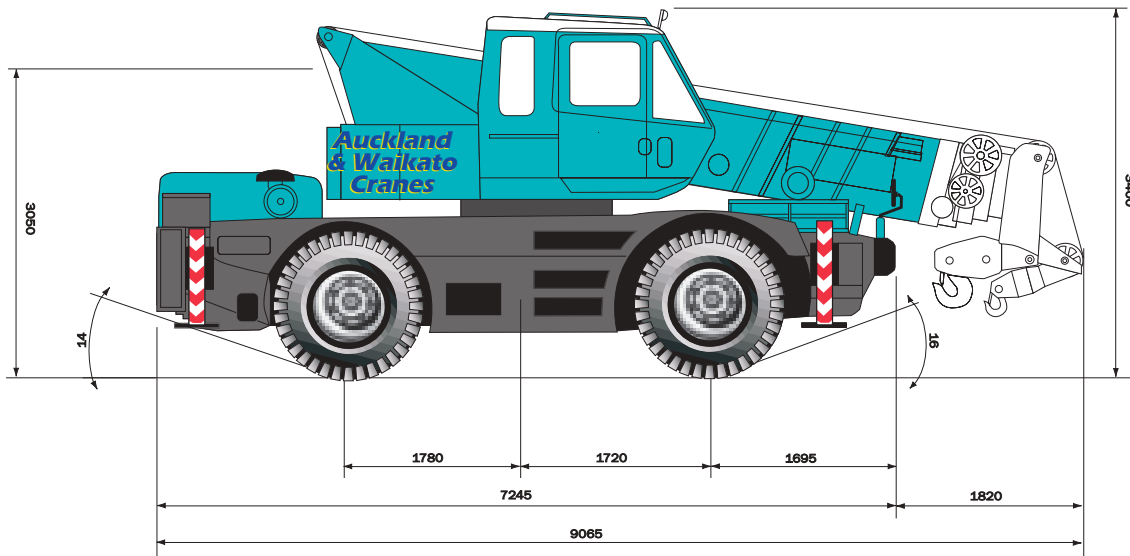
KATO CR 250

COMPREHENSIVE LIFTING SOLUTIONS

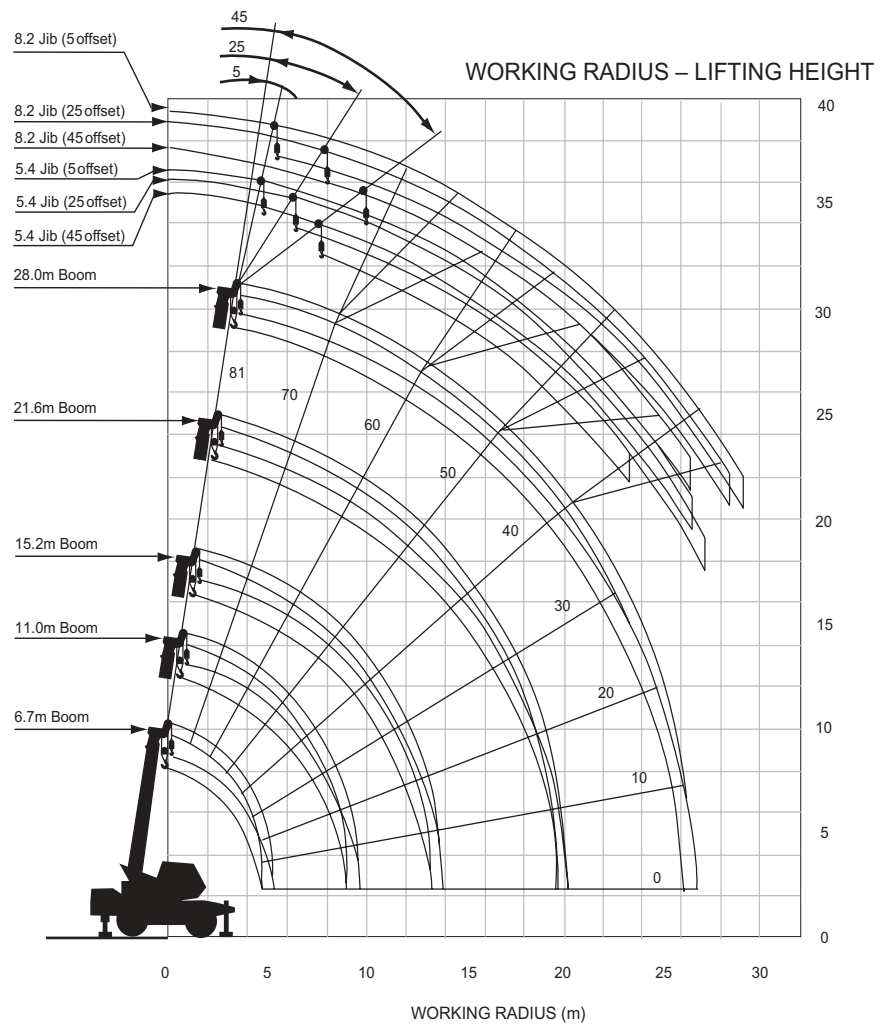
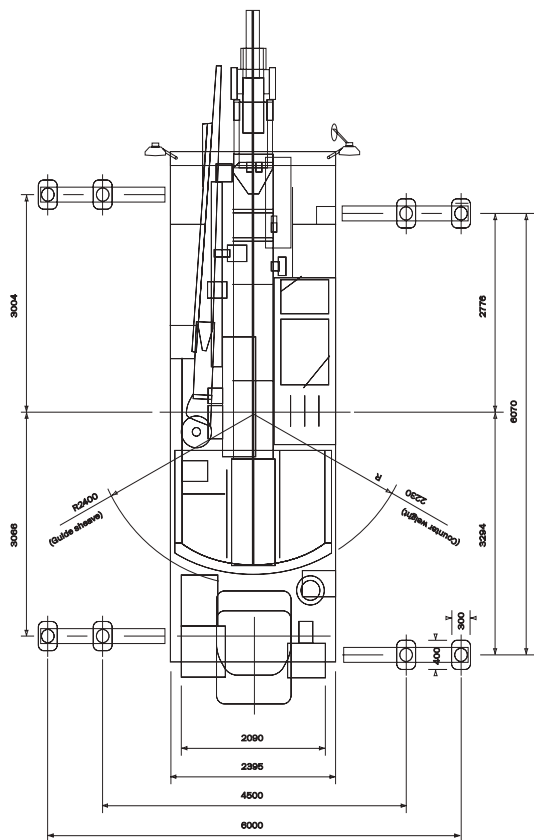
We look forward to providing a full lift engineering and crane solution for your next project. Our lift engineers and on site personnel are experienced in managing and organising highly demanding lift requirements.

Contact us to discuss your lifting requirements and to receive a free quote.

www.aucklandcranes.co.nz/contact



GENERAL DIMENSIONS



DIN 15019-2

LOAD RATINGS IN TONNES

360°

Main boom

Working Radius (m)	Outriggers Fully Extended (6.0m) - 360° Full Range					Outriggers Intermediately Extended (4.5m) - Over Side					Outriggers Fully Retracted (2.09m) - Over Side				
	6.7m Boom	11.0m Boom	15.2m Boom	21.6m Boom	28.0m Boom	6.7m Boom	11.0m Boom	15.2m Boom	21.6m Boom	28.0m Boom	6.7m Boom	11.0m Boom	15.2m Boom	21.6m Boom	28.0m Boom
2.8	(25.00)	12.00	12.00			(25.00)	12.00	12.00			10.00	9.50	7.90		
3.0	22.00	12.00	12.00	8.00		22.00	12.00	12.00	8.00		8.75	8.45	7.15	6.50	
3.5	20.00	12.00	12.00	8.00		20.00	12.00	12.00	8.00		6.60	6.30	5.65	5.45	
4.0	17.00	12.00	12.00	8.00	6.50	17.00	12.00	12.00	8.00	6.50	5.10	4.85	4.55	4.55	4.25
4.5	15.00	12.00	12.00	8.00	6.50	15.00	12.00	12.00	8.00	6.50	4.10	3.85	3.70	3.80	3.65
5.0		12.00	12.00	8.00	6.50		12.00	12.00	8.00	6.50		3.10	3.00	3.20	3.15
5.5		12.00	12.00	8.00	6.50		9.80	9.70	8.00	6.50		2.50	2.40	2.70	2.70
6.0		12.00	11.50	8.00	6.50		8.20	8.10	8.00	6.50		2.05	1.95	2.30	2.35
6.5		11.30	10.60	8.00	6.50		7.00	6.85	7.25	6.50		1.60	1.55	1.95	2.00
7.0		10.15	9.90	7.85	6.50		6.00	5.90	6.55	6.50		1.25	1.20	1.65	1.75
8.0		7.90	7.80	7.10	5.90		4.60	4.50	5.10	5.40		0.70	0.60	1.15	1.30
9.0		6.20	6.10	6.35	5.35		3.60	3.45	4.05	4.40					
10.0			4.90	5.45	4.80			2.65	3.30	3.60					
11.0			4.00	4.60	4.30			2.05	2.65	3.00					
12.0			3.25	3.85	3.85			1.55	2.15	2.50					
13.0			2.65	3.30	3.50			1.15	1.75	2.10					
14.0				2.80	3.10				1.40	1.75					
15.0				2.35	2.70				1.15	1.45					
16.0				2.00	2.35				0.90	1.20					
17.0				1.70	2.00				0.70	0.95					
18.0				1.45	1.75				0.50	0.80					
19.0				1.20	1.50				0.35	0.60					
20.0				[19.7m] 1.05	1.30				0.45	0.45					
21.0					1.15				0.35	0.35					
22.0					0.95										
23.0					0.80										
24.0					0.75										
25.0					0.65										
26.0					0.50										
Critical Boom Angle	-	-	-	-	-	-	-	-	-	35°	-	15°	50°	62°	69°
Standard Hook	25t Hook					25t Hook					25t Hook				
Hook Weight	200 kg					200 kg					200 kg				

